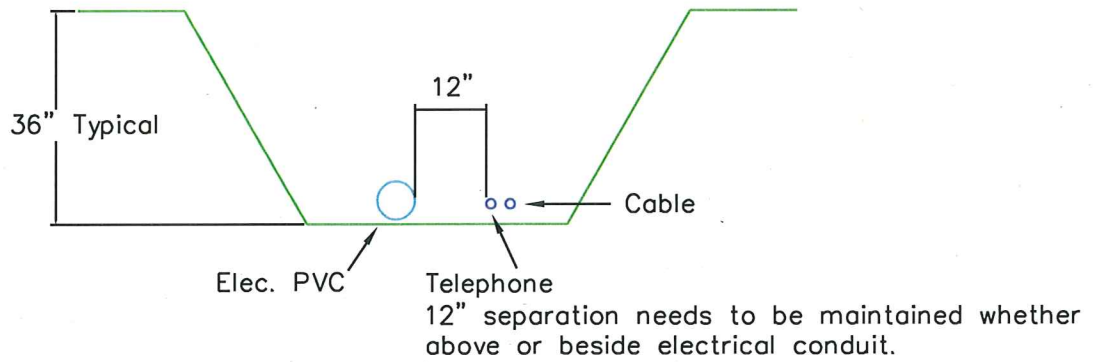


# DITCHING SPECIFICATIONS SECONDARY UNDERGROUND SERVICE

## TYPICAL TRENCH DETAILS



\*\* NOT FOR PRIMARY INSTALLATIONS



WASHINGTON  
ELECTRIC CO-OP

www.washingtonco-op.com tel: 802 223-5245

sec-dit600.1

REVISED: April 20, 2005 g:\public\acad dwgs